



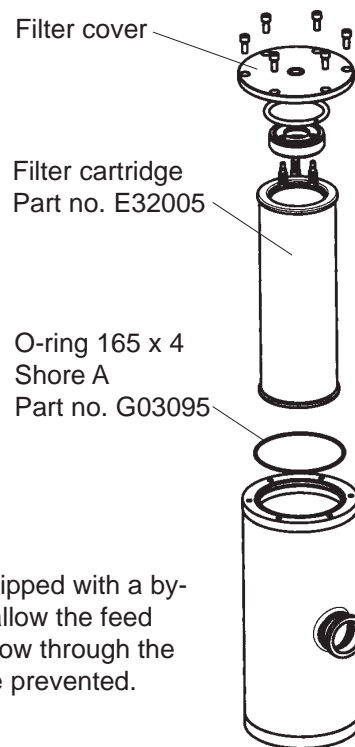
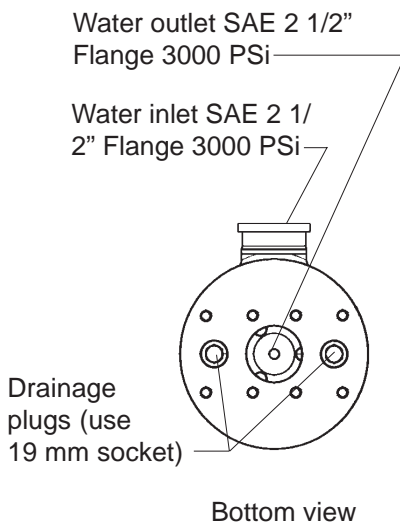
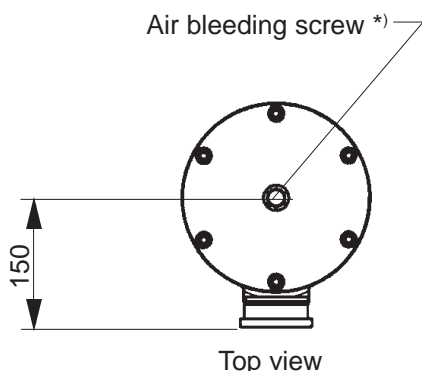
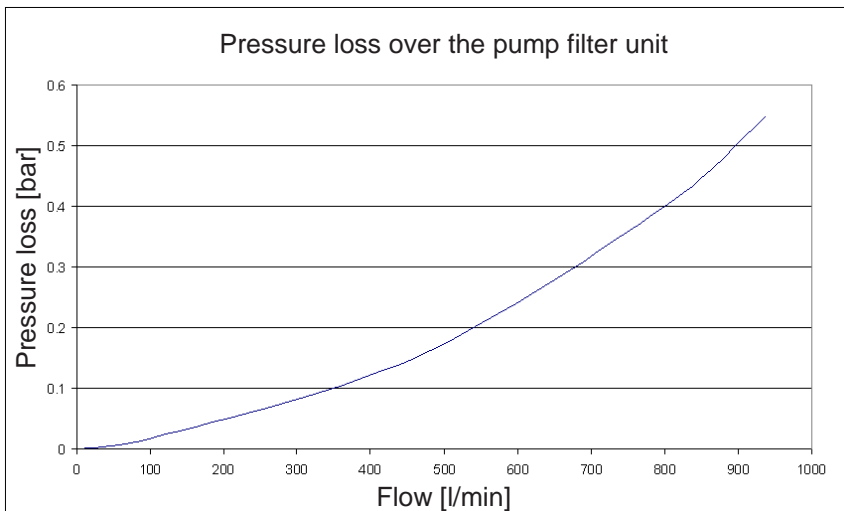
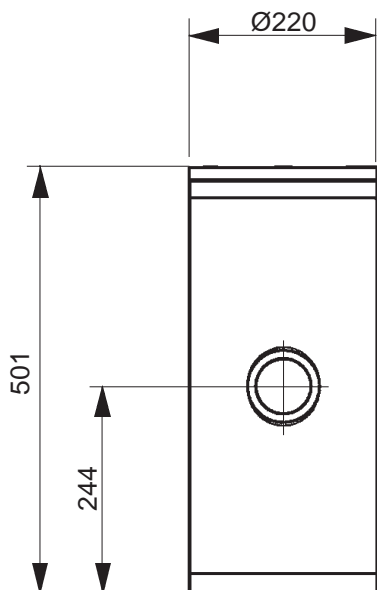
# Pump unit filter SAE 2 1/2"



Product E31001

TA

6 Apr 2009



\*) When filling the unit via the filter, loosen the screws to bleed air from the filter. After filling, tighten the screws with 8 mm Allen key.

The filter has been equipped with a by-pass valve, which will allow the feed water flow even if the flow through the filter cartridge would be prevented.

<b>General</b>	Body material	Stainless steel
	Mass (dry, with filter)	30 kg
	Filtering	< 100 µm (see p. 2 for filter cartridge specifications)
	Max. feeding pressure	16 bar
<b>Requirements</b>	Water used for the HI-FOG® systems should be the equivalent of a potable supply.	
<b>Maintenance</b>	Monthly visually check the filter and replace the cartridge if dirty.	



Marioff Corporation Oy • Virmatie 3 / P.O.Box 86, FI-01301 Vantaa, Finland  
 Tel. +358 (0)9 870 851 • Fax +358 (0)9 8708 5399 • www.marioff.com

# Pump unit filter SAE 2 1/2"



Product E31001

TA

6 Apr 2009

<b>Filter cartridge</b>	Support mesh	500 µm, AISI316 stainless steel
	Filter mesh	100 µm, AISI316 stainless steel
	Inner tube	AISI304 stainless steel
	End caps	AISI304 stainless steel
	O-ring	NBR90